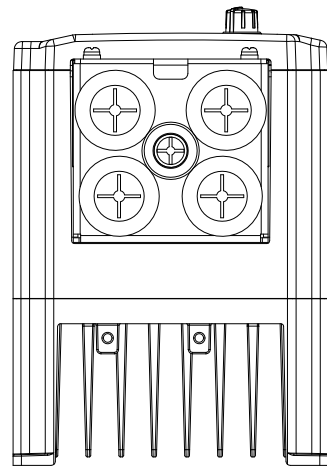
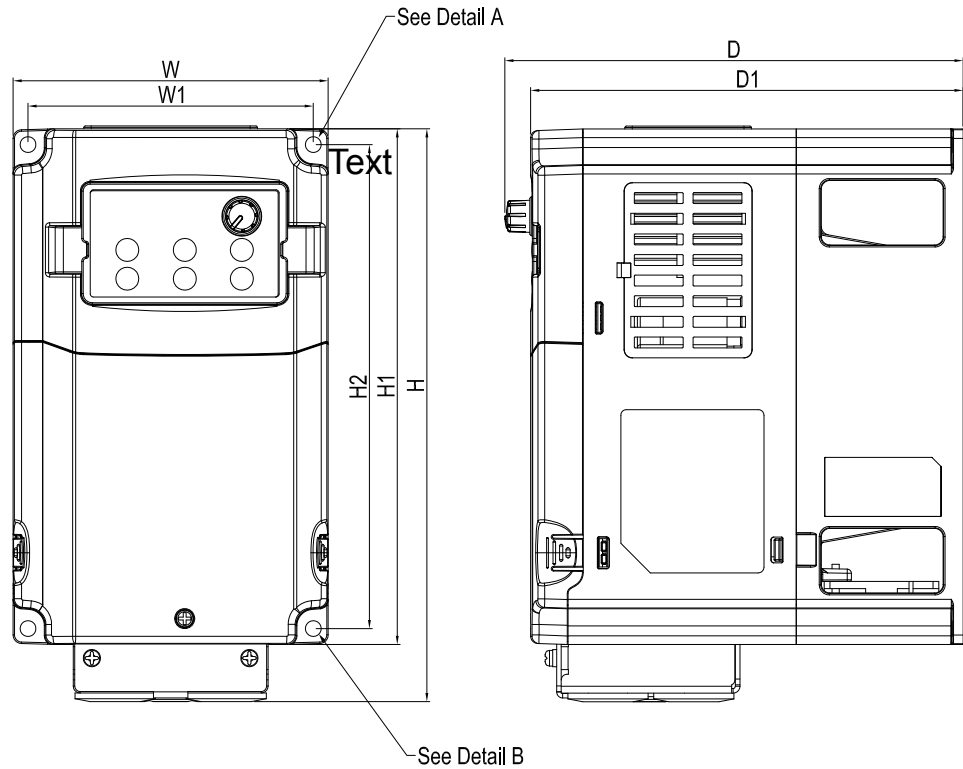


DRAWING_1

VFD004CB21A-21, VFD007CB21A-21, VFD004CB23A-21, VFD007CB23A-21, VFD015CB23A-21, VFD007CB43A-21, VFD015CB43A-21,
 VFD004CB21A-21M, VFD007CB21A-21M, VFD004CB23A-21M, VFD007CB23A-21M, VFD015CB23A-21M, VFD007CB43A-21M, VFD015CB43A-21M



Detail A (Mounting Hole)



Detail B (Mounting Hole)

unit:mm[inch]

Frame	W	W1	H	H1	H2	D	D1	S1	ø1	ø2	ø3
A0	110.0 [4.33]	99.6 [3.92]	200 [7.87]	180.0 [7.09]	169.0 [6.65]	160.0 [6.30]	151.0 [5.94]	5.5 [0.22]			



THESE DRAWINGS AND SPECIFICATIONS ARE THE PROPERTY OF DELTA ELECTRONICS, INC. AND SHALL NOT BE REPRODUCED OR USED AS THE BASIS FOR THE MANUFACTURE OR SELL OF APPARATUSES OR DEVICES WITHOUT PERMISSION.

DOCUMENT NAME

VFD-CB-A03-PD